

Specification

LED Strip Lights

Series 3528 FR4 Rigid Strip

Version A/0

Date 2011/01/11

LumitexT B.V.

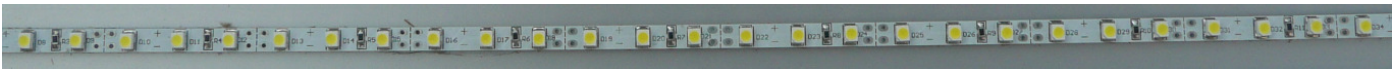
ADD: Postbus 302, 2400 AH, Alphen a/d Rijn, the Netherlands

Product Introduction

3528 Rigid Strip

Using high quality FR4 PCB and high brightness SMD LED as light source, Viewing angle bigger than 120 degree which gives even light for the whole strip.

Each three LED can be cut for different application according to the cutting instruction on the PCB, easy for installation and connection.



Main Features

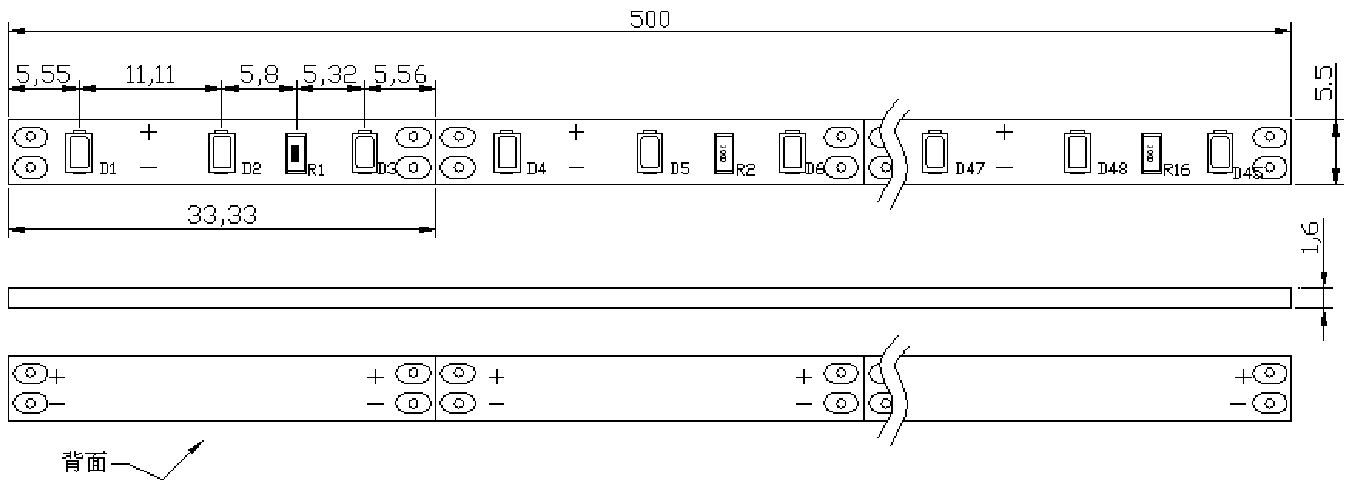
- ☀ 1.6mm FR4 FPC as substrate
- ☀ High brightness SMD LED as light source, viewing angle bigger than 120 degree
- ☀ All colors available. (White, Red, Blue, Green, etc)
- ☀ Drive on DC12, safety usage.
- ☀ Can be cut or connect easily to any length (longest up to 1.5 meter)
- ☀ Environmental protection, save 80% more energy than traditional light, Long life span up to 50000 hours

Applications:

- ☀ Architecture light, Corridor light
- ☀ Back light, signal light
- ☀ Hotel, KTV decoration.
- ☀ Cabinet, exhibition decoration



Dimension (0.5m per segment)



Optical Parameters

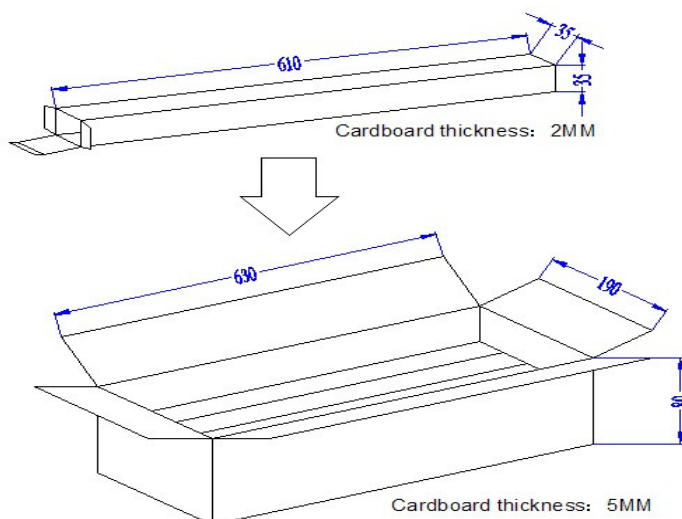
| Product | Color | Angle | Color Temperature (K) | LED Brightness (lumen) If=20mA | |
|------------------|-------|-------|-----------------------|--------------------------------|---------|
| | | | | Minimum | Average |
| 3528 Rigid strip | White | 120° | 5450~6650K | 6.3 | 7 |
| | | | | | |
| | | | | | |
| | | | | | |
| | | | | | |
| | | | | | |
| | | | | | |
| | | | | | |

Working Parameters

| | |
|-------------------|----------------------------------|
| Voltage | DC 12V |
| Input | 300mA/0.5m |
| Power consumption | 3.6W/0.5m |
| LED Type | SMD3528 |
| LED Quantity | 45PCS/0.5m |
| Life Span | 50,000hr |
| Work Temperature | -40~60°C |
| Work Humidity | ≤90% |
| PCB Material | FR4 |
| Dimension | 500*5.5*1.6mm (0.5m per segment) |
| Weight | 15g (0.5m per segment) |

Package

1. Safe and beauty package:



Cautions:

1. Pls confirm the correct input and output of the power supply before installation
2. Don' t turn on the product when installing or connecting the strip.
3. Don' t hit or force the strip when installing or using the strips
4. Don' t install the strip into water or any environment easy to cause fire or explosion,

Pls make sure use the strip in proper ventilation.

5. Don' t use iron wire or other mental material for fixing the strip to avoid circuit shorted.

6. This product is non-waterproof and for indoor usage only, pls make sure the power supply is also install in waterproof environment.

Note: Specifications are subjected to any change without notice. If any question, pls contact us.