

Specification

LED Strip Lights

Series 3528 Strip Lights

Version A/0

Date 2011/01/08

LumitexT B.V.

ADD: Postbus 302, 2400 AH, Alphen a/d Rijn, the Netherlands

Introduction

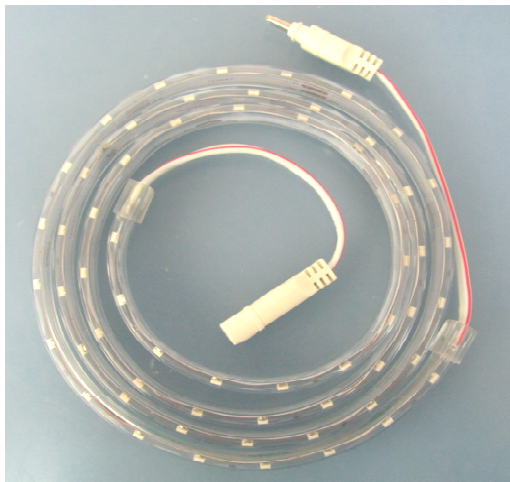
3528 LED Strip Lights

Adopting FPC as substrate, Using high brightness SMD LED as light source with viewing angle of 120 degree which will give even light output for the strip.

Can cut each 3LED according to the line on the FPC, also offer fitter for easier installation.

Available in all kind of colors for different decoration usage.

DC12V for safety usage.



CE RoHS

Features:

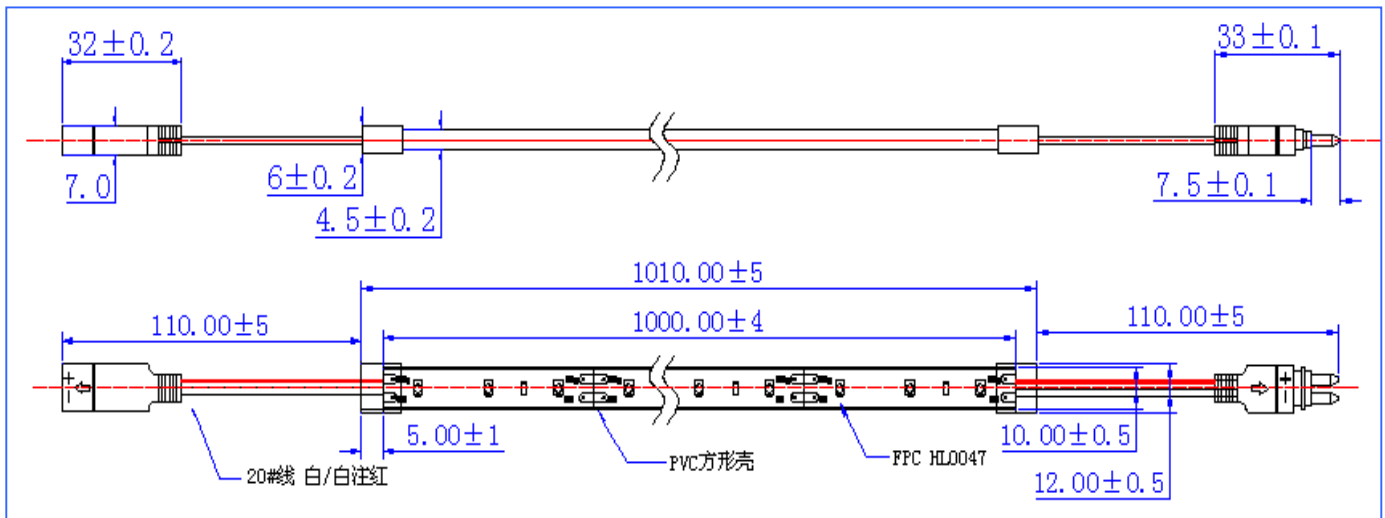
- ☀ Adopt FPC as substrate, Water transparent PVC as shell, easy to bend and install.
- ☀ High brightness SMD LED as light source with viewing angle of 120 degree.
- ☀ All kinds of color available, White, warm white, red, green, blue, yellow, RGB etc.
- ☀ Can make any length of 5meter or below.
- ☀ DC12V for safety usage.
- ☀ Can be cut and connect to longest length of 10 meters
- ☀ Unique waterproof connector for outdoor usage.
- ☀ Environment protection, Save 80% energy than traditional light, life span of 50000 hours.

Application:

- ☀ Architecture, Corridor, Aisle
- ☀ Sign, Backlighting
- ☀ Hotel, KTV, Decoration
- ☀ Exhibition decoration, Household



Dimension (1m)



Parameters:

Part number	Color	Angle	CCT (K) / (nm)	LED Brightness (mcd)	
				Minu	Average
STR1060005CE01	Warm white	120°	2760~3160K	1650	1850
STR1060005ND01	Natural white	120°	3920~4600K	1650	1850
STR1060005WD01	Cool white	120°	5450~6600K	1650	1850
STR1060005RA01	Red	120°	620~630nm	90	180
STR1060005GD01	Green	120°	520~535nm	600	780
STR1060005BA01	Blue	120°	460~470nm	90	210
STR1060005YA01	Yellow	120°	585~597nm	70	150

Remark: Different brightness of LED available for the strip.

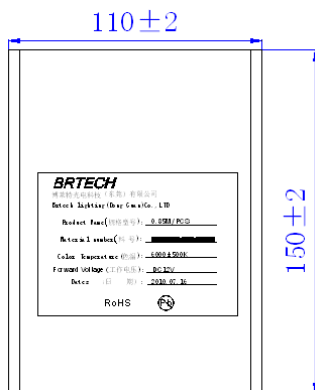
Main Items

Voltage	DC 12V
Current	400mA/m
Power	4.8W/m
LED Type	SMD3528
LED Qty	60PCS/m
Life	50,000hr
Temperature	-40~60°C
Humidity	≤90%
Material	PVC/FPC
Dimension	1010*12*6mm (1m, without connector)
Weight	41g (1m)

Package

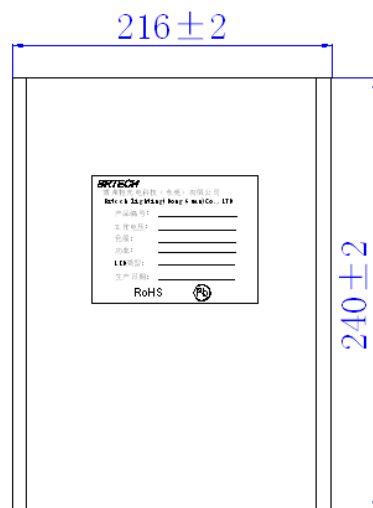
1. Inside Package (5pcs fitter for each 1 meter):

Fitter



Size: 150*110mm
 Net Weight: 41g
 Gross Weight: 46g

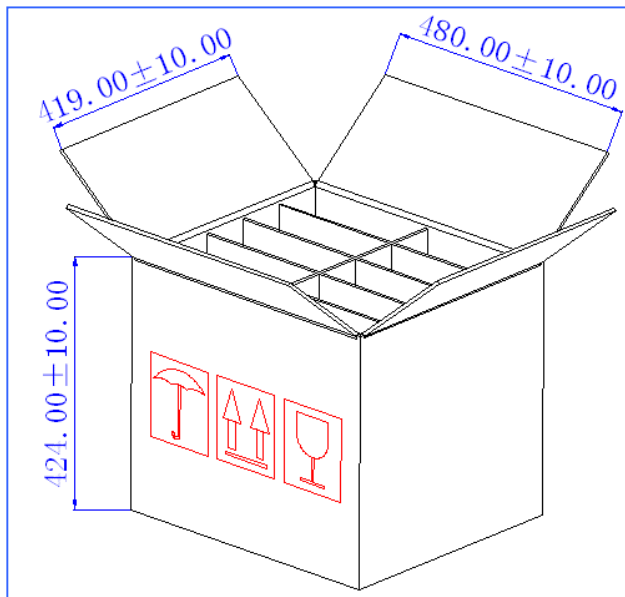
Shielding Bag: 1PCS/bag (1m)



Size: 240*216mm
 Net Weight: 123g
 Gross Weight: 141g

Foiling Bag: 1PCS/bag (3m)

2. Outer Box:



Size: 480*419*424mm

Qty: 100 PCS

Gross Weight: 6.6Kg(1m type)

16.1Kg(3m type)

Cautions:

1. Pls check the correct input and output of the switching power before installing the strip.
2. Installing the silicone cover strip under cold weather, we suggest lighting up for few minutes till the strip becoming soft and easy to bend, and then stop the power and installing the strip.
3. The strip should be bended less than 90 degree, otherwise the soldering pad inside the strip would be easy broken which cause the failure of the strip.
4. Pls don't connect the strip to power when installing or connecting the strip, only allow lighting up the strip after completely installed correctly.
5. Pls don't hit or force the strip when installing or using the strip.
6. Pls don't install the strip inside water directly or any occasion that are easy cause fire or explosion, should be used in draughty environment.
7. Don't tie the strip with metal material when installing, avoid any external metal material inside the strip which may cause short circuit of the strip.
8. Non waterproof strip or PVC tube strip are more propel to use for indoor, Silicone cover can be used for indoor or outdoor.
9. When silicone cover strip are used for outdoor, pls make sure the power supply are install in indoor

or dry environment.

Note: Specifications are subject to change without notice. Any question, pls contact us directly.