

# Specification

## LED Strip Lights

Series 3535 Alumium Strip

Version A/0

Date 2011/01/11

**LumitexT B.V.**

ADD: Postbus 302, 2400 AH, Alphen a/d Rijn, the Netherlands

## Product Introduction

### 3535 Alumium Strip

Using high quality, good heat conduct aluminum strip as substrate and high brightness SMD LED as light source, Viewing angle bigger than 120 degree which gives even light for the whole strip.

Each three LED can be cut for different application according to the cutting instruction on the PCB, easy for installation and connection.



#### Features:

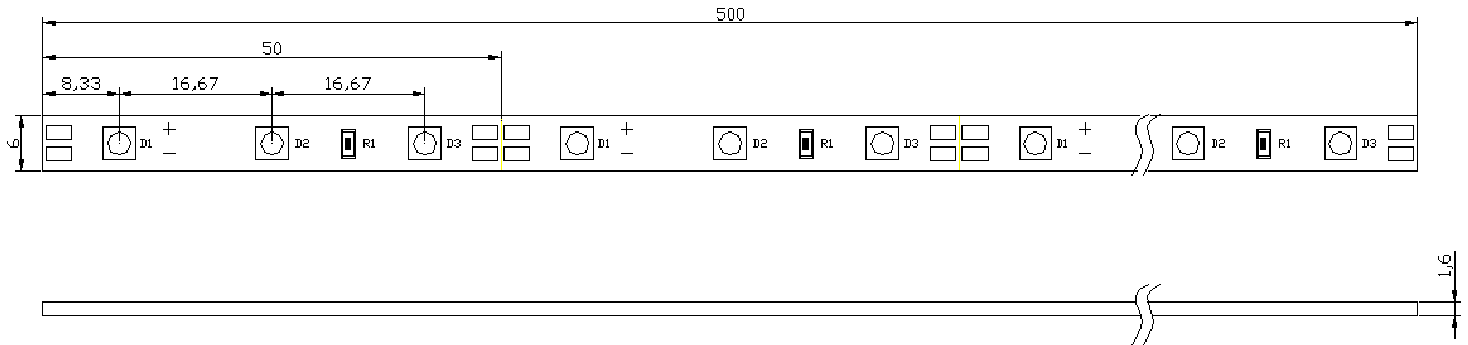
- ☀ 1.6mm Alumium board as substrate
- ☀ High brightness SMD LED as light source, viewing angle bigger than 120 degree
- ☀ All colors available. (White, Red, Blue, Green, etc)
- ☀ Drive on DC12, safety usage
- ☀ Can be cut or connect easily to any length (longest up to 1.5 meter)
- ☀ Environmental protection, save 80% more energy than traditional light, Long life span up to 50000 hours

#### Applications:

- ☀ Architecture light, Corridor light
- ☀ Back light, signal light
- ☀ Hotel, KTV decoration.



## Dimension (0.5m per segment)



## Optical Parameters

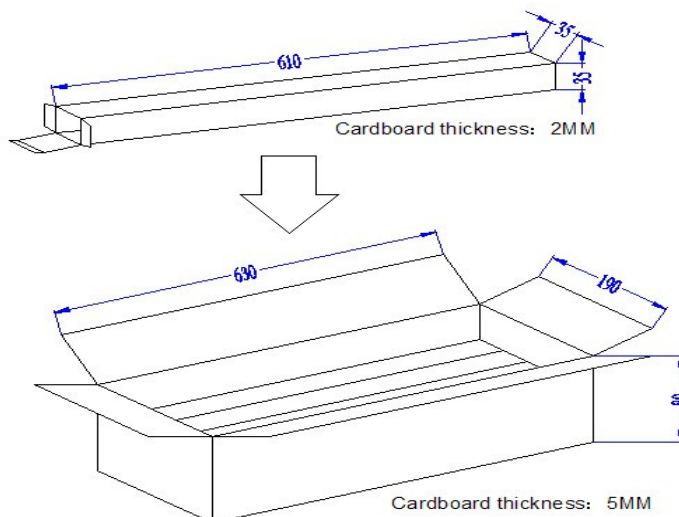
Product	Color	Angle	Color Temperature (K)	LED Brightness (lumen) If=60mA	
				Minimum	Average
3535 Alumium Strip	White	120°	5450~6650K	14.5	16

## Working Parameters

Voltage	DC 12V
Input	600mA/0.5m
Power consumption	7.2W/0.5m
LED Type	SMD3535
LED Quantity	30PCS/0.5m
Life Span	50,000hr
Work Temperature	-40~60°C
Work Humidity	≤90%
PCB Material	Alumium Board
Dimension	500*6.0*1.6mm (0.5m per segment)
Weight	20g (0.5m per segment)

## Package

### 1. Safe and beauty package



## Cautions:

1. Pls confirm the correct input and output of the power supply before installation
2. Don' t turn on the product when installing or connecting the strip.
3. Don' t hit or force the strip when installing or using the strips
4. Don' t install the strip into water or any environment easy to cause fire or explosion,

Pls make sure use the strip in proper ventilation.

5. Don' t use iron wire or other mental material for fixing the strip to avoid circuit shorted.

6. This product is non-waterproof and for indoor usage only, pls make sure the power supply is also install in waterproof environment.

Note: Specifications are subjected to any change without notice. If any question, pls contact us.