

# Specification

## LED Strip Lights

Series 5050 Strip Lights

Version A/0

Date 2011/01/08

**LumitexT B.V.**

ADD: Postbus 302, 2400 AH, Alphen a/d Rijn, the Netherlands

## Introduction

### 5050 LED Strip Lights

Adopting FPC as substrate, using high brightness SMD LED as light source with viewing angle of 120 degree which will give even light output for the strip.

Can cut each 3LED according to the line on the FPC, also offer fitter for easier installation.

Available in all kind of colors for different decoration usage.

DC12V for safety usage.



CE RoHS

#### Features:

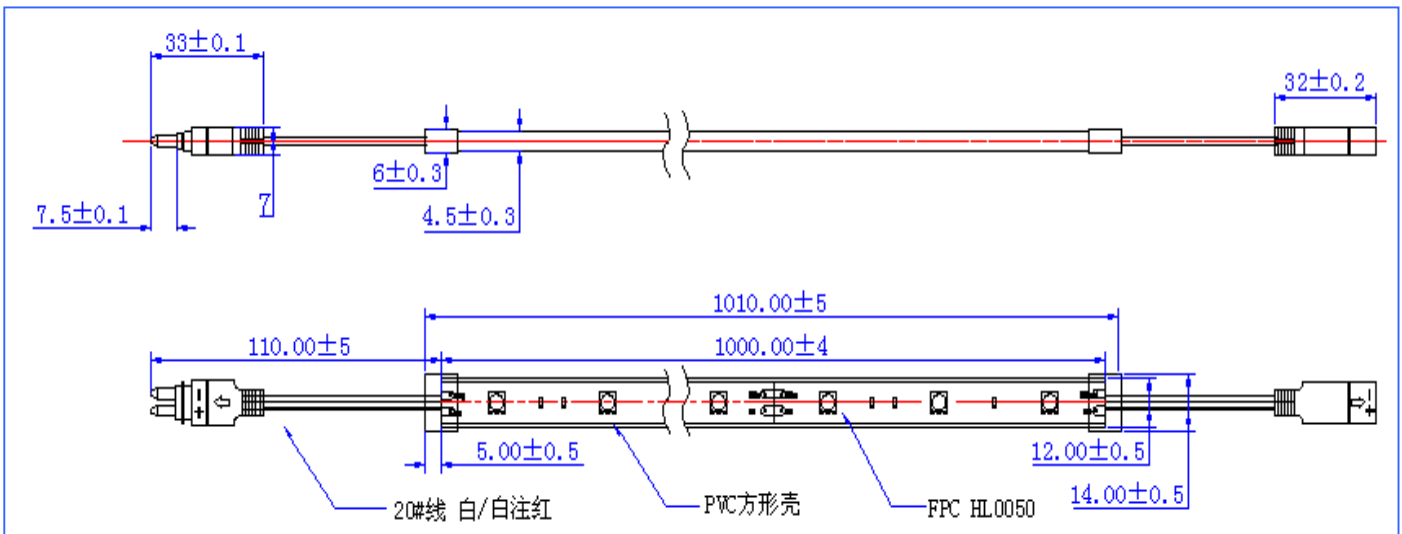
- ☀ Adopt FPC as substrate, Water transparent PVC as shell, easy to bend and install.
- ☀ High brightness SMD LED as light source with viewing angle of 120 degree.
- ☀ All kinds of color available, White, warm white, red, green, blue, yellow, RGB etc.
- ☀ Can make any length of 5meter or below.
- ☀ DC12V for safety usage.
- ☀ Can be cut and connect to longest length of 10 meters
- ☀ Unique waterproof connector for outdoor usage.
- ☀ Environment protection, Save 80% energy than traditional light, life span of 50000 hours.

#### Application:

- ☀ Architecture, Corridor, Aisle
- ☀ Sign, Backlighting
- ☀ Hotel, KTV, Decoration
- ☀ Exhibition decoration,



## Dimension (1m)



## Parameters:

Part number	Color	Angle	CCT (K) / (nm)	LED Brightness (mcd)	
				Min	Average
STR1230165CG01	White	120°	2760~3160K	4600	5200
STR1230165NF01	Natural white	120°	3920~4600K	4600	5200
STR1230165WF01	Warm white	120°	5450~6600K	4600	4800
STR1230165RA01	Red	120°	620~630nm	210	450
STR1230165GE01	Green	120°	520~535nm	1700	3000
STR1230165BA01	Blue	120°	460~470nm	270	560
STR1230165YA01	Yellow	120°	585~597nm	460	850
STR1230165FF11	RGB	120°	R. 620~630nm G. 520~535nm B. 460~470nm	R:700 G:1500 B:210	

**Remark: Different brightness of LED available for the strip.**

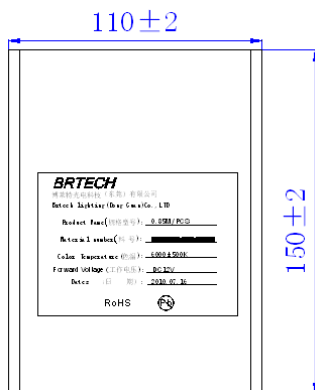
## Main Items

Voltage	DC 12V
Current	540mA/m
Power	6.5W/m
LED Type	SMD5050
LED Qty	30PCS/m
Life	50,000hr
Temperature	-40~60°C
Humidity	≤90%
Material	PVC/FPC
Dimension	1010*14*6mm (1m, without connector)
Weight	56g (1m)

## Package

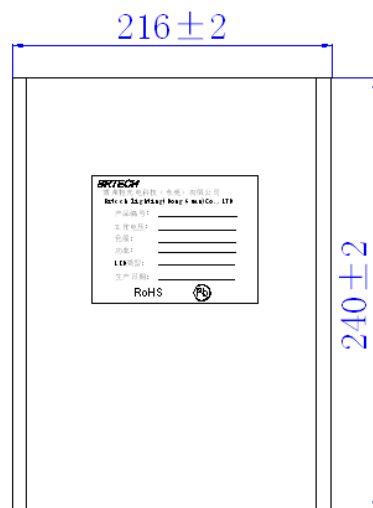
### 1. Inside Package (5pcs fitter for each 1 meter):

Fitter



Size: 150\*110mm  
 Net Weight: 56g  
 Gross Weight: 61g

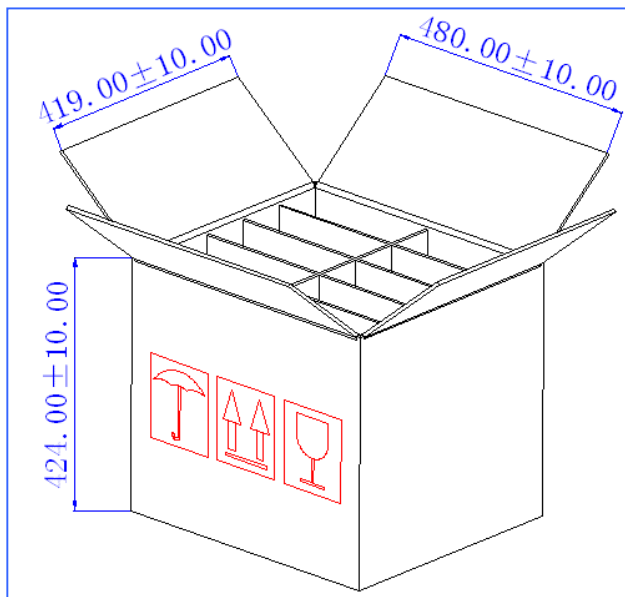
Shielding Bag: 1PCS/bag (1m)



Size: 240\*216mm  
 Net Weight: 168g  
 Gross Weight: 186g

Foiling Bag: 1PCS/bag (3m)

## 2. Outer Box:



Size: 480\*419\*424mm

Qty: 100 PCS

Gross Weight: 8.1Kg (1m)  
20.6Kg(3m)

### Cautions:

1. Pls check the correct input and output of the switching power before installing the strip.
2. Installing the silicone cover strip under cold weather, we suggest lighting up for few minutes till the strip becoming soft and easy to bend, and then stop the power and installing the strip.
3. The strip should be bended less than 90 degree, otherwise the soldering pad inside the strip would be easy broken which cause the failure of the strip.
4. Pls don't connect the strip to power when installing or connecting the strip, only allow lighting up the strip after completely installed correctly.
5. Pls don't hit or force the strip when installing or using the strip.
6. Pls don't install the strip inside water directly or any occasion that are easy cause fire or explosion, should be used in draughty environment.
7. Don't tie the strip with metal material when installing, avoid any external metal material inside the strip which may cause short circuit of the strip.
8. Non waterproof strip or PVC tube strip are more propel to use for indoor, Silicone cover can be used for indoor or outdoor.

9. When silicone cover strip are used for outdoor, pls make sure the power supply are install in indoor or dry environment.

**Note: Specifications are subject to change without notice. Any question, pls contact us directly.**